

# 335 D

Extractor Hood

Installation and Operating Instructions

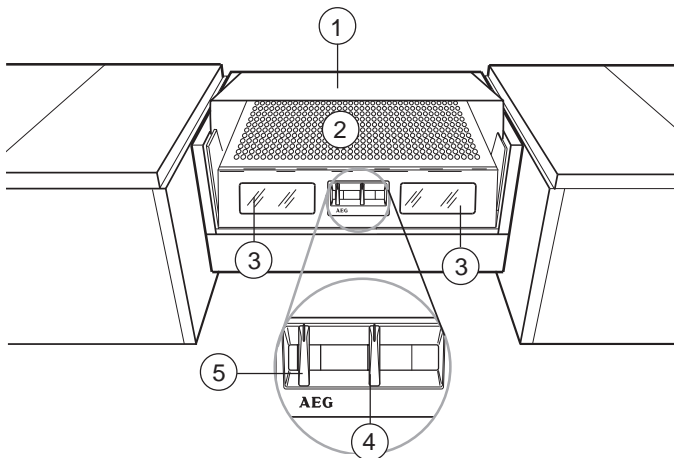
# Contents

<b>Description of the appliance</b>	<b>3</b>
<b>General details</b>	<b>3</b>
Extractor version	3
Filter version	4
Safety warnings for kitchen unit installer	4
<b>Electrical connections</b>	<b>5</b>
Safety warnings for electrician	5
Safety warnings for user	7
<b>Hood operation</b>	<b>8</b>
<b>Care and Maintenance</b>	<b>9</b>
Grease filter	9
Active carbon filter	10
Cleaning	10
Replacing the lamps	10
<b>Technic details</b>	<b>11</b>
<b>Special Accessories</b>	<b>11</b>
<b>Technical Assistance Service</b>	<b>11</b>



## Description of the appliance

- 1) Pull-out panel
- 2) Grease filter support grid
- 3) Hob light
- 4) Fan speed selector
- 5) Light switch



## General details

The hood is supplied as an extractor version, but may also be used in the recirculating mode by inserting an active carbon filter (Optional extra).

Exhaust vapours are pushed outwards by means of a pipe.

If the exhaust pipe is in a horizontal position, it must be inclined upwards at a angle of 10° so as to guarantee better extraction.

To connect the fan hood to the wall box, we recommend the use of venting hoses E-Nr. 697 000 012 or 647 000 010 (120 mm or 100 mm diameter) which are supplied as optional extras.

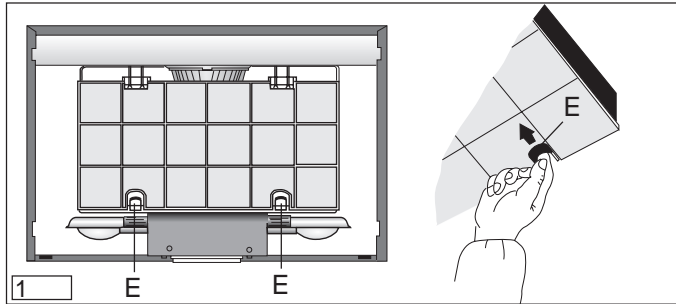
**Extractor  
version**

## Filter version

Exhaust vapours are purified by means of an active carbon filter (Optional extra) and directed back into the room.

To insert the active carbon filter, remove the grease filter grid.

Fit the active carbon filter by inserting it first into the upper hooks and then into the lower ones; then lock into position by using the blocking tabs **E** (fig. 1).



The AEG original KLF 60/80 active filter carbon is necessary for the recirculating mode (see paragraph "Special accessories").

## Safety warnings for kitchen unit installer

The air outlet must not be connected to chimney flues or combustion gas ducts. The air outlet must under no circumstances be connected to ventilation ducts for rooms in which fuel-burning appliances are installed.

It is advisable to apply for authorization from the relevant controlling authority when connecting the outlet to an unused chimney flue or combustion gas duct.

The air outlet installation must comply with the regulations laid down by the relevant authorities.

When the unit is used as an extractor version, a sufficiently large ventilation hole must be provided, with dimensions that are approximately the same as the outlet hole.

National and regional building regulations impose a number of restrictions on using hoods and fuel-burning appliances connected to a chimney, such as coal or oil room-heaters and gas fires, in the same room.

The local decree on fuel-burning systems specifies a maximum depression of 0.04 mbar in such rooms.

Hoods can only be used safely with appliances connected to a chimney if the room and/or flat (air/environment combination) is ventilated from outside using a suitable ventilation hole approximately 500-600 cm<sup>2</sup> large to avoid the possibility of a depression being created during operation of the hood.

If you have any doubts, contact the relevant controlling authority or building inspector's office.

Since the rule for rooms with fuel burning appliances is "outlet hole of the same size as the ventilation hole", a hole of 500-600 cm<sup>2</sup>, which is to say a larger hole, could reduce the performance of the extractor hood.

If the hood is used in its recirculation mode, it will operate simply and safely in the above conditions without the need for any of the aforementioned measures.

When the hood is used as an extractor, the following rules must be followed to obtain optimal operation:

- short and straight outlet hose
- keep bends in outlet hose to a minimum
- never install the hoses with an acute angle, they must always follow a gentle curve only
- keep the hose as large as possible (100 or 120 mm Ø min.).

Failure to observe these basic rules will drastically reduce the performance and increase the noise levels of the extractor hood.

Where flexible ducting is fitted the length should be no more than:

- 3 metres with one 90° bend
- 2 metres with two 90° bends.

Bends of more than 90° will reduce the efficiency of the hood and reduce the air flow.

## **Electrical connections**

Please ensure that the voltage and current indicated on the rating plate agree with the voltage of your electricity supply.

If your appliance has been equipped with a mains lead with a moulded-on type plug, you must comply with the following regulations:

The plug moulded on to the lead incorporates a fuse. For replacement, use a 5 amp BS1362 fuse. Only ASTA approved or

**Safety  
warnings  
for electrician**

certified fuses should be used. If the fuse cover/carrier is lost, a replacement cover/carrier must be obtained from an electrical goods retailer. If the socket outlets in your home are not suitable for the plug fitted to the appliance, then the plug must be cut off and destroyed for safety reasons, and an appropriate plug fitted.

When wiring the plug ensure that all strands of wire are securely retained in each terminal. Do not forget to tighten the mains lead clamp on the plug.

### **Electrical connections**

230 V - using fixed power supply line with plug.

240 V - using fixed power supply line (Great Britain).

Fuse rating 13 amps

(The unit should only be connected up by an authorized electrician).

See rating plate for further information.

It is recommended that the socket for the plug is sited above the cooker hood or above the overhead cabinet.

This has 2 advantages:

- 1) The socket is not visible.
- 2) The appliance can easily be unplugged when necessary.

If a fixed connection is required the cooker hood should be connected by an electrical installer registered with a competent electricity company. An isolating device is to be provided on the fixed wiring side. Switches with a contact opening of more than 3mm apply as isolating devices.

These include-automatic cut-out switches, fuses and contactors (VDE 0730, s. 7, Part1).The hood is fitted with a variable speed motor.

## Appliances with 2 wires

Your appliance must be connected to fixed wiring via the use of a double pole switched fused spur outlet with or without pilot lamp.

We strongly recommend the appliance is connected by a qualified electrician who is a member of the NICEIC who will comply with the IEE and any local regulations.

### NOTE:

The terminology “DOUBLE POLE” means that both the live and neutral supplies are switched and disconnected at the same time.

The terminations labelled SUPPLY are for the connection for the internal house wiring and the terminations labelled LOAD are for the appliance.

### IMPORTANT

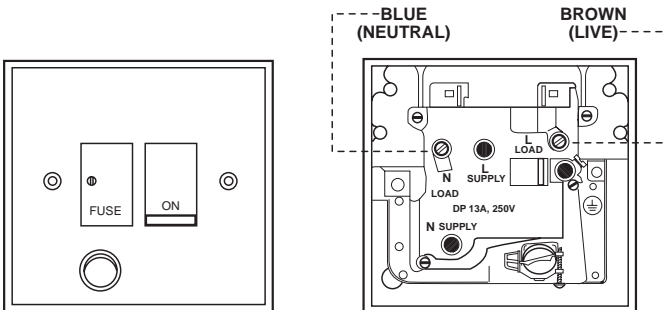
The wires of the mains lead supplied with this appliance are coloured in accordance with the following code:

**Blue-Neutral**

**Brown-Live**

As the colours of the flexible cord of this appliance may not correspond with the coloured markings identifying the terminals in your plug, proceed as follows: The wire which is coloured brown must be connected to the terminal which is marked with the letter L or coloured red.

The wire which is coloured blue must be connected to the terminal which is marked with the letter N or coloured black.



## Appliances with 3 wires

Your appliance must be connected to fixed wiring via the use of a double pole switched fused spur outlet with or without pilot lamp.

We strongly recommend the appliance is connected by a qualified electrician who is a member of the NICEIC who will comply with the IEE and any local regulations.

**NOTE:** The terminology “DOUBLE POLE” means that both the live and neutral supplies are switched and disconnected at the same time.

The terminations labelled SUPPLY are for the connection for the internal house wiring and the terminations labelled LOAD are for the appliance.

**WARNING: THIS APPLIANCE MUST BE EARTHED**

### IMPORTANT

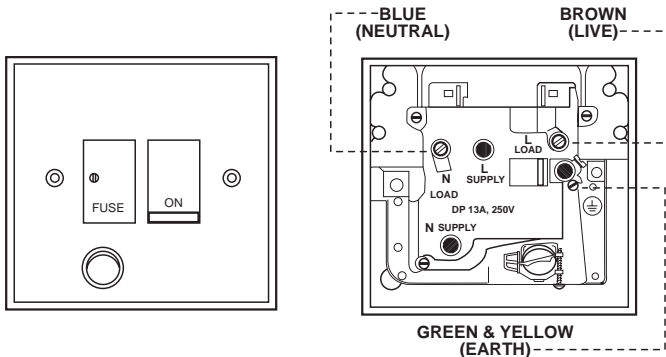
The wires in this mains lead are coloured in accordance with the following code:

Green/Yellow - Earth  
Blue - Neutral  
Brown - Live

As the colours of the wires in the mains lead of this appliance may not correspond with the coloured markings identifying the terminate in your spur box, proceed as follows:

The wire which is coloured green and yellow must be connected to the terminal which is marked with the letter “E” or by the earth symbol  $\perp$  or coloured green or green and yellow. The wire which is coloured blue must be connected to the terminal which is marked with the letter “N” or coloured black.

The wire which is coloured brown must be connected to the terminal which is marked with the letter “L” or coloured red.





The most effective use of the hood is obtained by switching it on a few minutes before you start cooking and leaving it on for approximately 15 minutes after you have finished, thus ensuring all cooking odours are eliminated.

Never leave a cooking hob or ring on without a pot or pan on top of it, to avoid the possibility of excess heat damaging the unit. Gas, oil or coal cooker flames in particular should never be left uncovered.

Special care should be taken when using deep fat fryers since the oil in them can overheat and burst into flames.

The risk of a fat fire increases when using dirty oil.

It is extremely important to note that overheating can cause a fire.

**Never carry out any flambé cooking under the hood.**


**Always disconnect the unit from the power supply before carrying out any work on the hood, including replacing the light bulb** (take the cartridge fuse out of the fuse holder or switch off the automatic circuit breaker).


It is very important to clean the hood and the filter at the recommended intervals. Failure to do so could cause grease deposits to build up, causing a fire hazard.

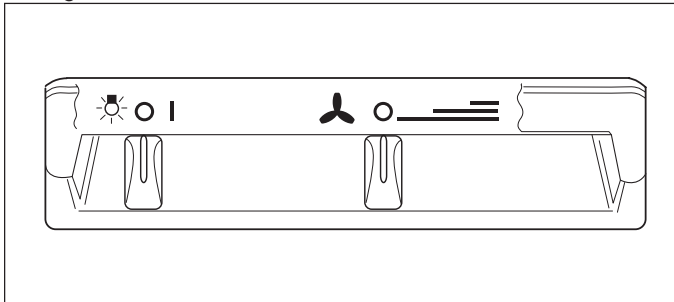
## Hood operation

The control panel of the fan hood is on the front of the appliance (see pag. 3).

The two slide switches are for the various fan functions: one is for the fan speed and the other is for the hob light.

**The button with the “” symbol** is used to adjust the fan speed or intensity. It is advisable to use low speeds when cooking food that produces an average amount of steam and odour; the more steam and odour there is, the higher the speed should be.

**The button with the “” symbol** is for switching on and off the hob light.



Moreover, the fan hood is equipped with a micro-switch which can be found under the lower runner of the pull-out panel on the right hand-side. With this micro-switch, the appliance may be automatically switched on and off by opening and closing the pull-out panel, but only if the fan speed has already been set and the light button is turned to “I”.

## Care and Maintenance

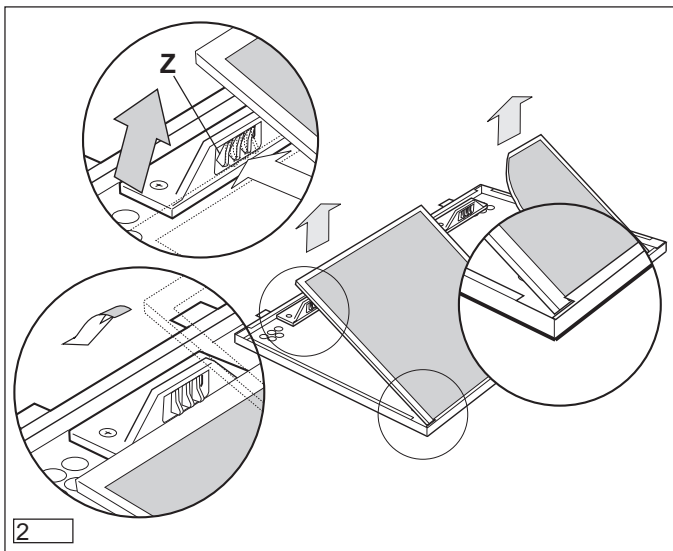
**Always turn off the appliance before carrying out any repair or maintenance work. For safety reasons, unplug at the wall socket.**

The purpose of the grease filter is to collect grease particles which form during cooking and it should always be used, either in the extraction or recirculation mode.

**You should take out my grease filters every four weeks and wash them either in the dishwasher or by hand.**

To remove the filter, proceed as follows:

- a) remove the grid;
- b) take out the dirty filter pushing on the locking devices **Z** (figure 2);
- c) Wash the filters in the dishwasher or by hand.



Soak grease filters for about one hour in hot water with a grease-loosening cleaner, then rinse off thoroughly with hot water. Repeat the process if necessary. Refit the grease filters when they are dry.

Place grease filters in dish washer. Select most powerful washing programme and highest temperature, at least 65°C. Repeat the process. Refit the grease filters when they are dry.

**Whenever the filters are washed, clean the grid with warm water and a non-abrasive liquid detergent.**

### Grease filter

### Hand washing

### Dishwasher machine

## **Active carbon filter**

This filter is used when the hood functions for internal recycling. The original AEG active carbon filter should be used (see Special accessories).

It is neither washable nor reusable.

In normal cooking conditions, we recommend that it be replaced every 4 months.

To replace the active carbon filter, push the locking tabs E inwards and the filter downwards (see diagram on pag. 4).

When ordering a new active carbon filter, indicate the model description and fan hood serial number. This information can be found on the rating plate inside the appliance.

Filters can be ordered at any AEG retailer.

## **Cleaning**

**Warning: always disconnect the hood from the mains power supply before cleaning it.**

**Never insert pointed objects in the motor's protective grille.**

**Wash the outside surfaces using a mild detergent solution. Never use caustic detergents or abrasive brushes or powders.**

**Only ever clean the switch panel and filter grille using a damp cloth and mild detergents.**

**It is extremely important to clean the unit and change the filters at the recommended intervals. Failure to do so will cause grease deposits to build up that could constitute a fire hazard.**

## **Replacing the lamps**

**Always turn off the electricity before replacing lamps:**

- 1) Remove the grid in order to check the lamps and replace them if necessary.
- 2) Unscrew the lamps that do not work and replace them with 40W max lamps (E14).

If the light does not function, check that the lamps are properly screwed-in before contacting the AEG Service Dept.

### **Attention**

Failure to observe the instructions on cleaning the unit and changing the filters will cause a fire hazard. You are therefore strongly recommended to follow these instructions.

## Technic details

**Weight:** 335 D  
**Net:** 10,8 Kg

**Maximum connected watt:** 230 W

**Motor absorption:** 150 W

**Lighting:** 2 x 40 W (E14)

**Length of the cable:** 165 cm

**Extraction rate according to DIN 44971**

	<b>Min.</b>	<b>Max.</b>
<b>Extractor:</b>	147 m <sup>3</sup> /h	297 m <sup>3</sup> /h
<b>Recirculating:</b>	97 m <sup>3</sup> /h	202 m <sup>3</sup> /h

### Special accessories

Wall box (Ø 120 mm)	E-Nr. 647 000 016
Wall box (Ø 120 mm)	647 000 020
120 mm outlet hose	647 000 012
100 mm outlet hose	647 000 010
KLF60/80 activated carbon filter	610 899 421

### Technical assistance service

In case of any enquiries and faults, please call AEG After-Sales Service:

#### AEG Domestic Appliances Limited

##### Head Office:

217 Bath Road

**Slough**, Berks SL1 4AW

Tel: 01753 872506

Telefax: 01753 512271

#### AEG Northern Service Centre: AEG Scottish Service Centre:

Unit 20, Haigh Park

Haigh Avenue

##### Stockport

GL Manchester SK4 1QR

Tel: 0161 487 2205

Telefax: 0161 474 1191

Block 11, Unit 1

Dundyvan Industrial Estate

##### Coatbridge

Lanarkshire ML5 4AQ

Tel: 01236 440387

Telefax: 01236 440256

### Service Appointments

**Bristol:** 01179 252880

**Norfolk:** 01603 765515

When calling please state the following

1. The model number
2. The E-No.
3. The F-No.

The manufacturer reserves the right to make alterations in design and colour in the interests of technical development without prior notice.

AEG Hausgeräte AG  
Postfach 1036  
D-90327 Nürnberg

© Copyright by AEG  
H 260 287 040

**L 509A**

**This file has been downloaded from:**

[www.UsersManualGuide.com](http://www.UsersManualGuide.com)

User Manual and User Guide for many equipments like mobile phones, photo cameras, mother board, monitors, software, tv, dvd, and othes..

Manual users, user manuals, user guide manual, owners manual, instruction manual, manual owner, manual owner's, manual guide, manual operation, operating manual, user's manual, operating instructions, manual operators, manual operator, manual product, documentation manual, user maintenance, brochure, user reference, pdf manual